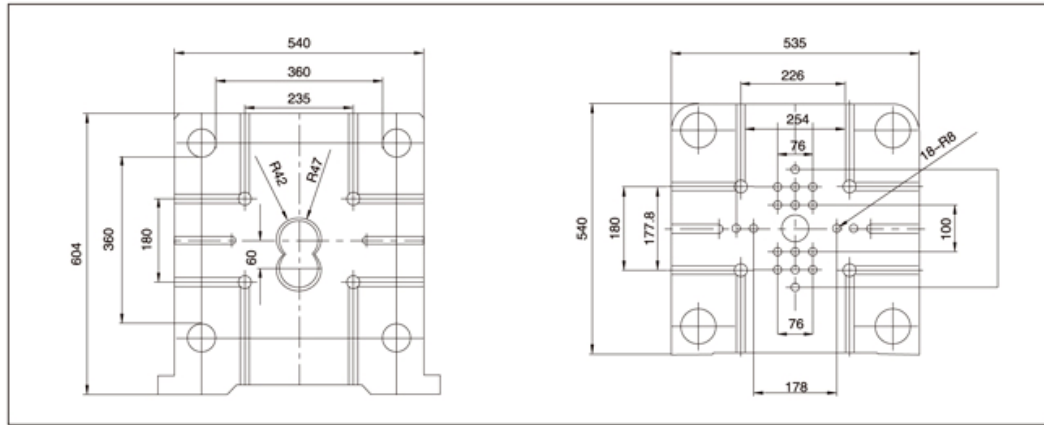


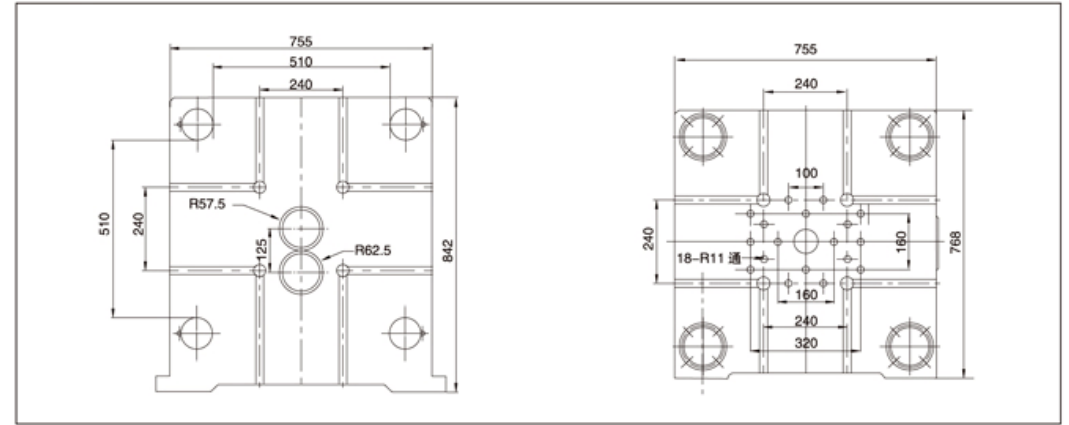
ITEMS	UNIT	ZLC-88	ZLC-130	ZLC-160	ZLC-220	ZLC-300	ZLC-400	ZLC-500	ZLC-700	ZLC-800	ZLC-900
Locking Force	kN	880	1350	1600	2200	3000	4000	5000	7000	8000	9000
Die Open Stroke	mm	270	350	380	380	470	550	580	650	760	800
Ejector Force	kN	57	70	110	121	158	180	225	315	315	360
Ejector Stroke	mm	60	75	85	85	110	125	130	155	180	190
Die Height (Min.-Max.)	mm	150-350	200-500	200-550	200-600	250-650	300-800	350-850	350-850	400-950	400-1000
Die Platen Size (HXV)	mm	540×604	630×680	670×720	755×840	900×950	1000×1120	1150×1305	1256×1360	1400×1438	1460×1460
Space Between Tie Bars	mm	360×360	410×410	460×460	510×510	560×560	620×620	760×760	800×800	910×910	930×930
Shot Position	mm	0, -60	0, -100	0, -70, -140	0, -125	0, -125	-125, -185	0, -220	0, -250	0, -250	-250
Shot Strock	mm	290	340	340	400	440	570	570	650	760	760
Casting Force (intensify)	kN	100	180	250	290	330	410	480	590	680	775
Plunger Diameter	mm	30, 35	40,50,60	50,60,70	50,60,70	50,60,70	60,70,80	70,80,90	80,90,100	80,90,100	80,90,100,110
Injection Weight	kg	0.4,0.6	0.7,1.15,1.65	1.3,1.8,2.1	1.35,1.95,2.65	1.5,2.1,2.9	3.0,4.2,5.4	4.2,5.5,6.9	6.0,7.8,9.5	7.1,9.0,11.2	7.1, 9,11,2,13.5
Casting Pressure	MPa	138,102	141,90,62	127,88,75	147,102,87	170,118,87	145,106,81	124,95,75	117,92,75	135,106,86	154,121,98,81
Casting Area	cm <sup>2</sup>	63,86	90,140, 205	125,180,212	149,215,252	172,252,343	275,375,490	400,523,662	596,754,931	591,748,924	583,738,912,1103
(40MPa) Casting Area Max	cm <sup>2</sup>	220	325	400	550	750	1000	1250	1750	2000	2250
Chamber Flange Diameter	mm	85	110	110	110	110	101.6	130	150	200	200
Chamber Flange Protrusion	mm	10	10	10	10	12	12	15	15	20	20
Plunger Penetration	mm	80	125	120	145	165	220	230	290	295	300
Main Pump Driving Motor	kW	7.5	11	15	15	18.5	22	30	37	45	45
Working Pressure	MPa	13	14	14	14	14	14	14	14	14	14
Oil Tank Capacity	L	300	480	520	550	750	950	1100	1200	1300	1400
Machine Dimensions (L×W×H)	mm	4100×1320×2550	4100×1320×2550	5500×1400×2500	5700×1500×2600	6500×1700×2700	7300×1900×2800	7500×2000×3100	7580×2060×3150	8600×2600×3250	9270×2600×3355
Referential Machine Weight For Uplifting	T	3.5	6.5	7	8	11.5	16	21	27.5	38.5	41

ITEMS	UNIT	ZLC-1000	ZLC-1300	ZLC-1600	ZLC-2000	ZLC-2500	ZLC-3000	ZLC-3500	ZLC-4000	ZLC-4500	
Clamping Force	kN	10000	13000	16000	20000	25000	30000	35000	40000	45000	
Die Opening Stroke	mm	880	1000	1200	1400	1500	1500	1600	1800	1900	
Ejector Force	kN	500	580	570	650	750	900	900	1000	1000	
Ejector Stroke	mm	210	210	250	300	300	300	300	350	400	
Die Height (Min.-Max.)	mm	400-1150	450-1200	500-1400	650-1600	750-1800	800-2000	850-2000	900-2100	900-2200	
Platen Size (HXV)	mm	1620×1620	1740×1740	1980×1980	2150×2150	2350×2350	2620×2620	2780×2780	2780×2780	3000×3000	
Space Between Tie Bars	mm	1030×1030	1100×1100	1250×1250	1350×1350	1500×1500	1650×1650	1750×1750	1850×1850	1950×1950	
Shot Position	mm	0, -300	0, -160, -320	-175, -350	-175, -350	-200, -400	-250, -450	-300, -600	-300, -600	-300, -600	
Shot Strock	mm	820	880	930	960	1050	1180	1400	1400	1600	
Casting Force (intensify)	kN	870	1080	1285	1500	1700	2110	2410	2410	2980	
Plunger Diameter	mm	90-120	100-140	110-150	130-170	140-180	150-190	160-200	160-200	180-220	
Shot Weight (Aluminum)	kg	9.5,11.7, 14.2,17	13, 12.5	16.6-30.8	23.9-40.8	30.3-50.1	39.1-62.7	52.7-82.4	52.7-82.4	76.3-114.0	
asting Pressure (with intensification)	MPa	138-77	138-70	137-73	113-66	110-66	119-73	120-77	120-77	117-78	
Casting Area	cm²	730-1305	910-1785	1165-2190	1769-3030	2270-3785	2520-4110	2910-4540	3330-5190	3850-5770	
Max Casting Area Under 40MPa	cm²	2500	3250	4000	5000	6250	7500	8750	10000	11250	
Diameter Of Pressure Chamber Flange	mm	240	240	260	260	280	280	320	320	340	
Height Of Pressure Chamber Flange	mm	20	25	25	30	30	30	35	35	35	
Plunger Penetration	mm	305	325	360	400	450	530	600	600	700	
Driving Motor	Kw	60/45	2× (50/37)	90	110	135	165	220	220	220	
Hydraulic Working Pressure	MPa	160	140	16	16	16	16	16	16	16	
Hydraulic Oil Tank Capacity	L	1400	2350	3000	3300	3700	4600	4800	5100	5500	
Machine Dimensions (L×W×H)	mm	10950×3300×3950	11000×3500×4350	11660×4570×4590	12730×4740×4750	13650×5030×5080	14970×5290×5190	15800×5390×5290	16500×5450×5390	17300×5570×5420	
Referential Machine Weight For Uplifting	T	70	90	110	135	195	235	260	285	300	

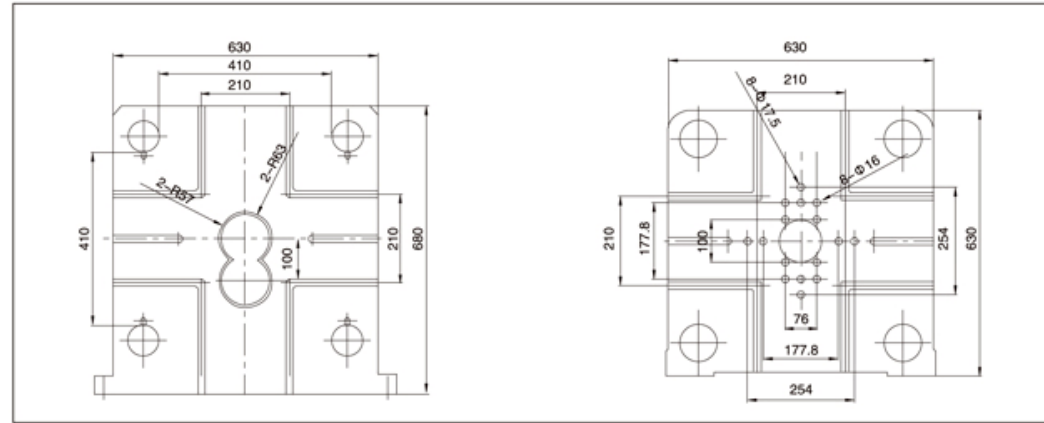
■Model: ZLC-88



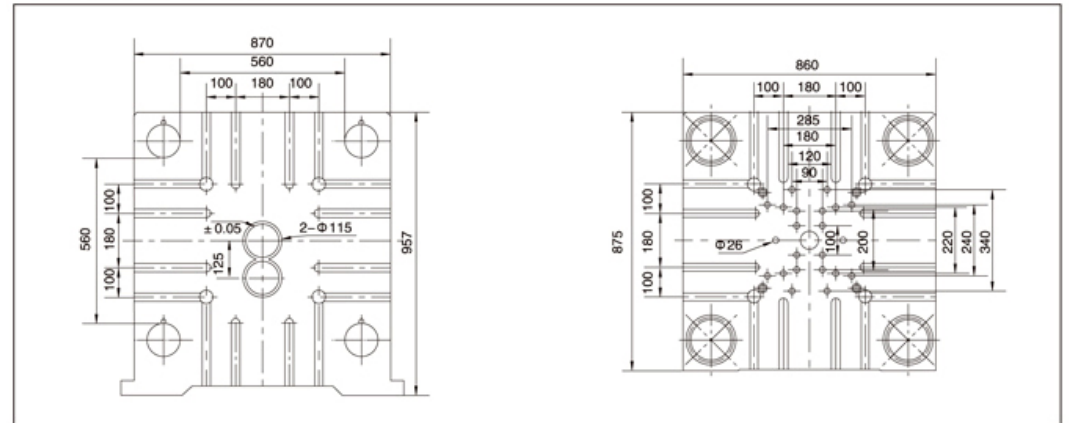
■Model: ZLC-220



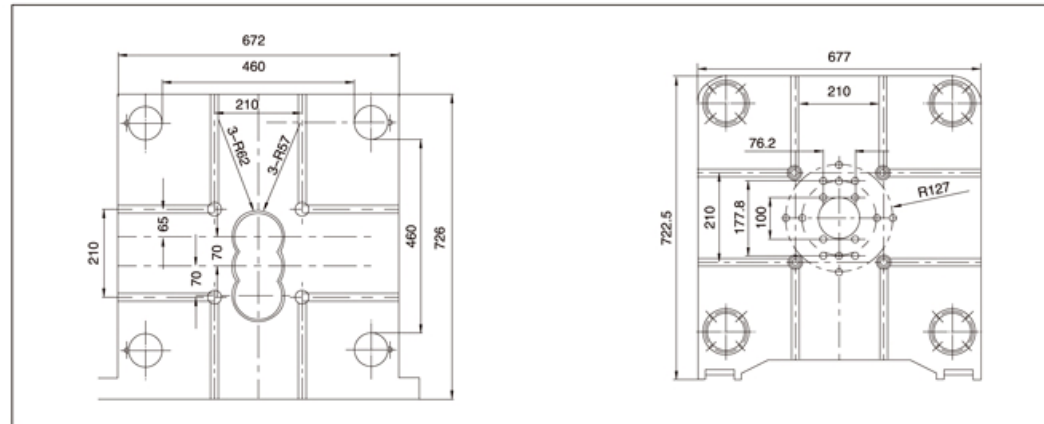
■Model: ZLC-130



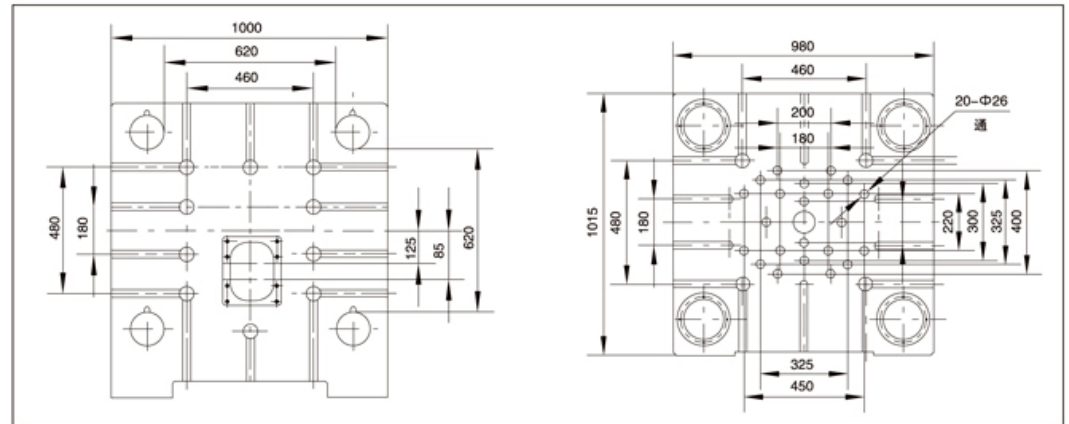
■Model: ZLC-300



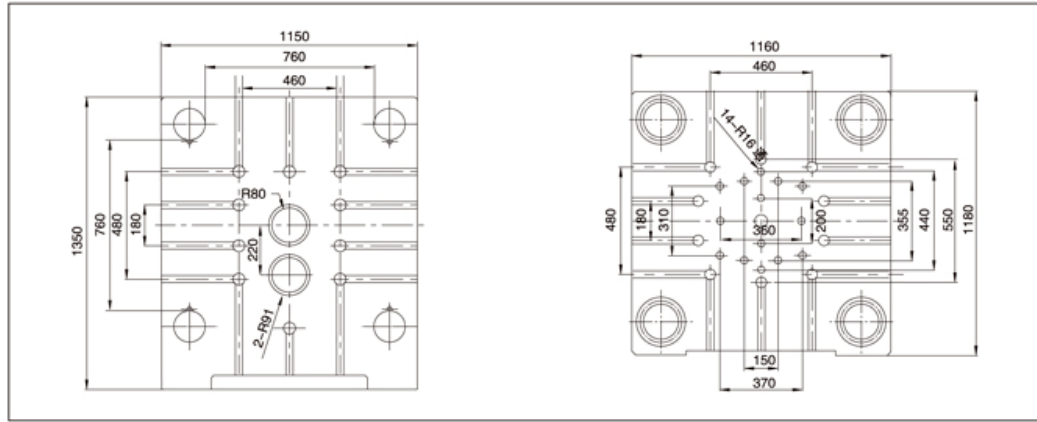
■Model: ZLC-160



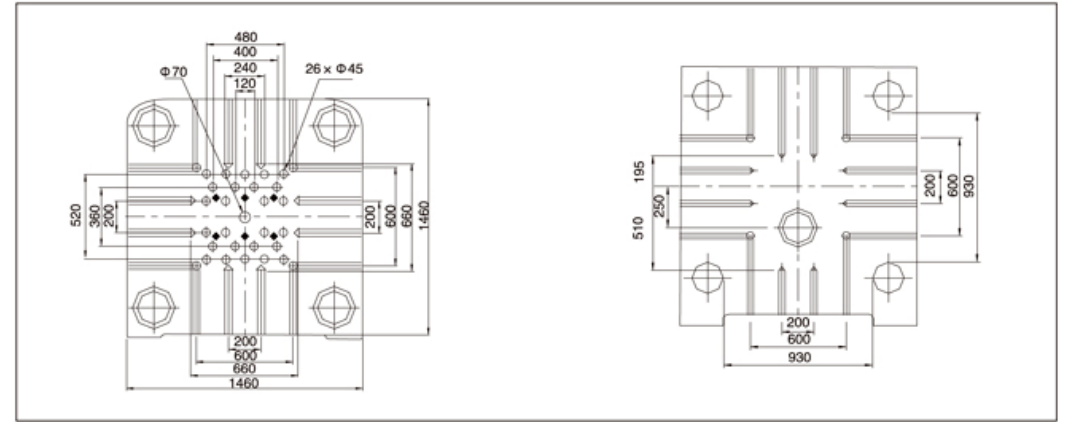
■Model: ZLC-400



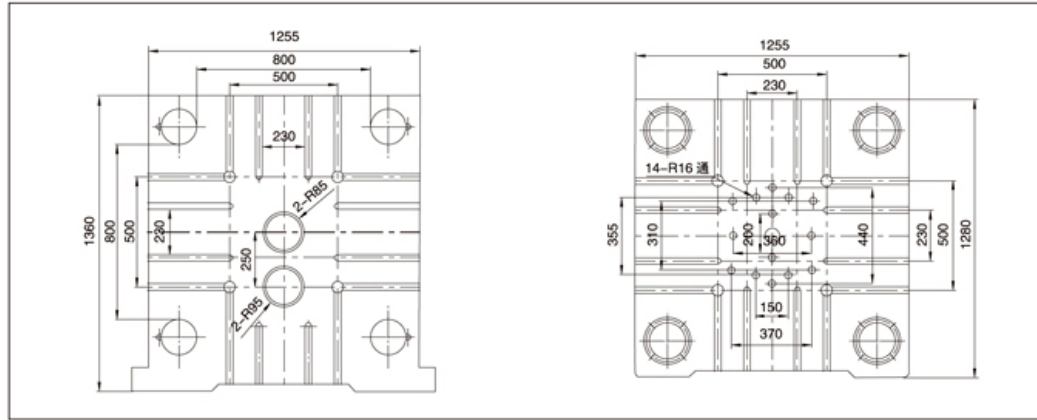
■Model: ZLC-500



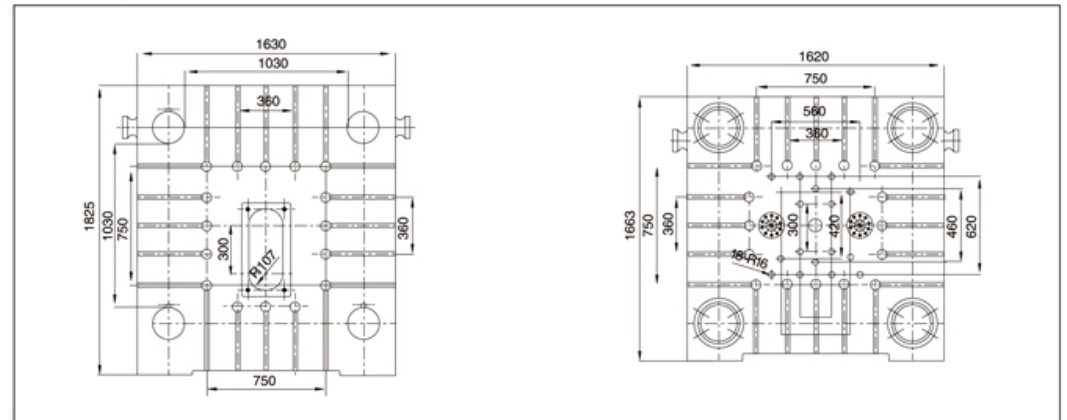
■Model: ZLC-900



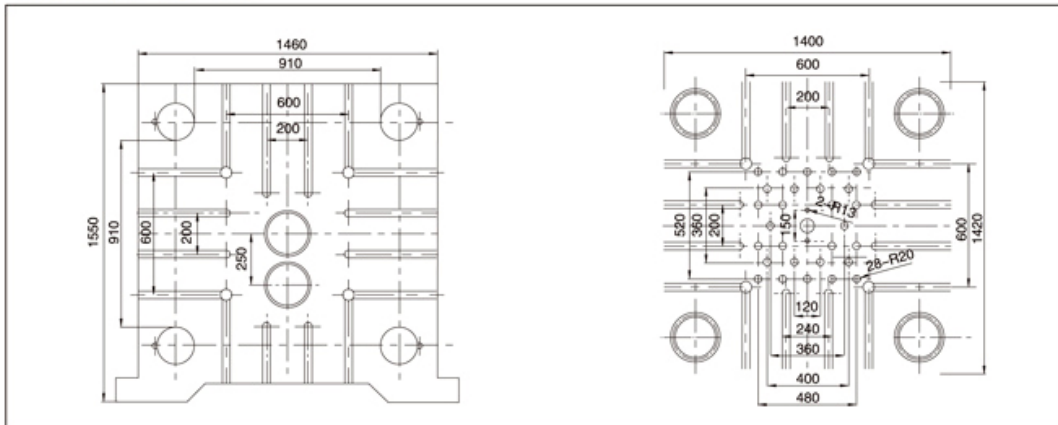
■Model: ZLC-700



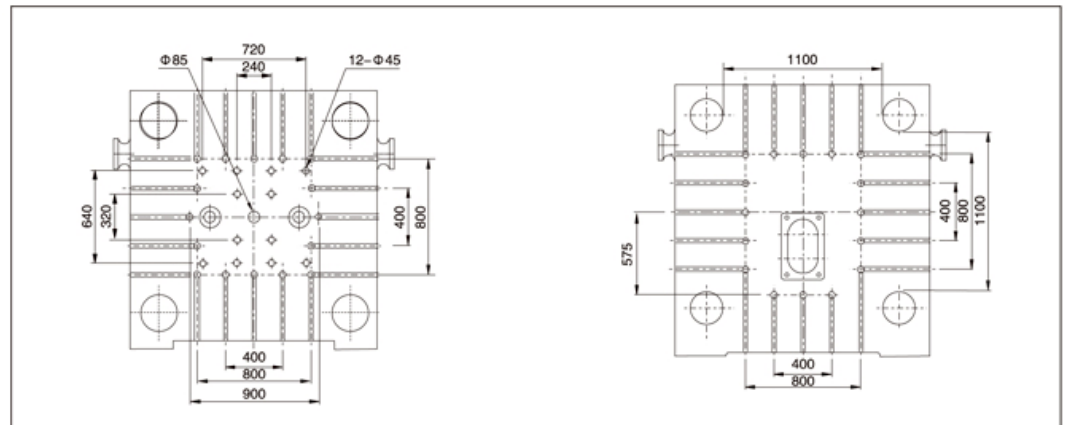
■Model: ZLC-1000



■Model: ZLC-800

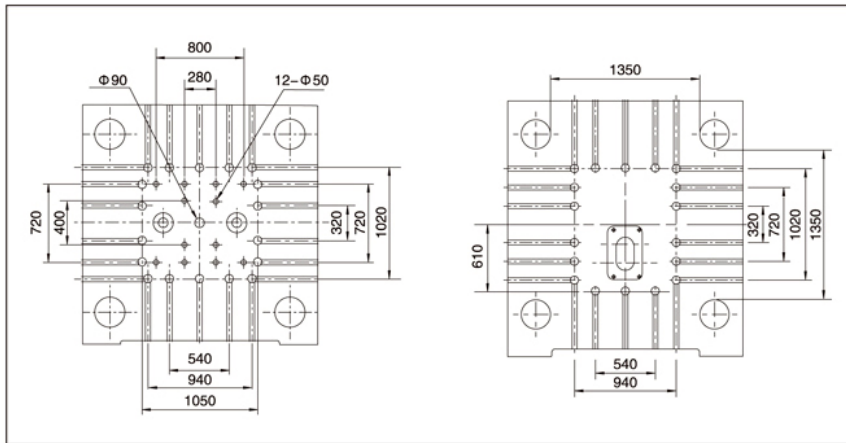


■Model: ZLC-1300

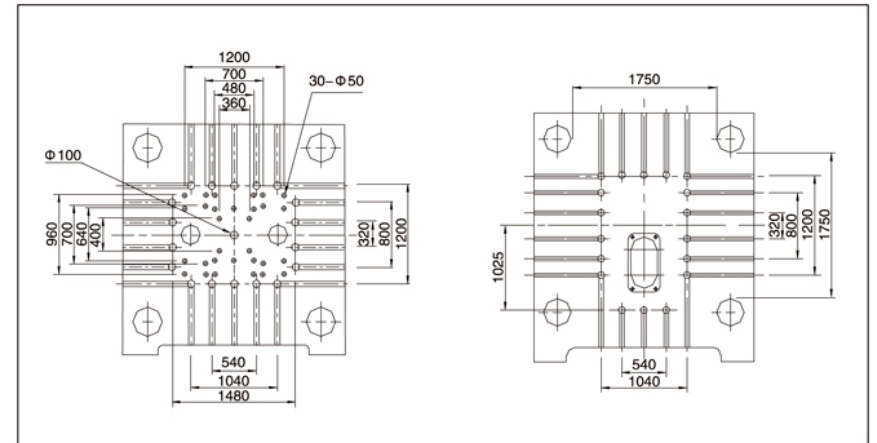




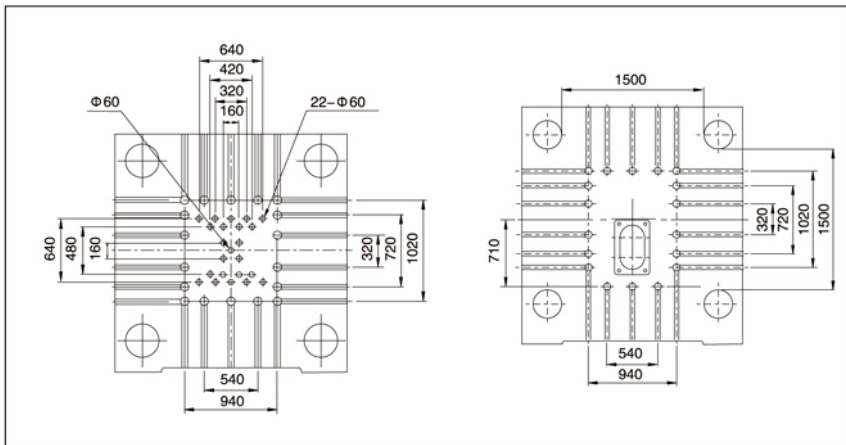
■ Model: ZLC-2000



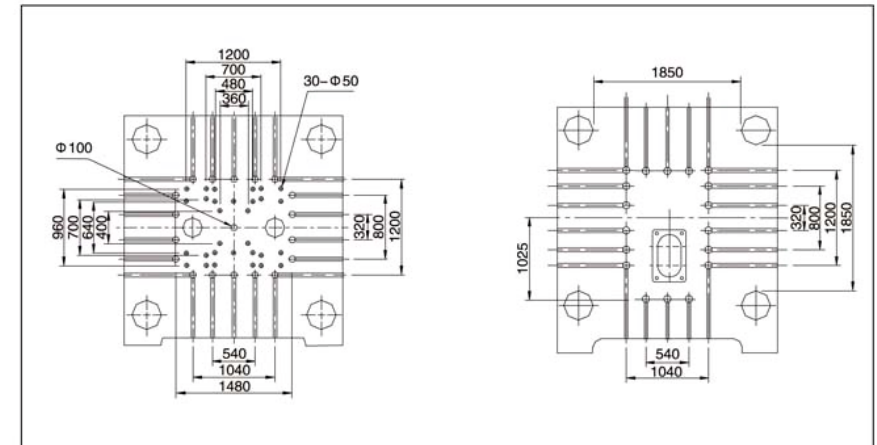
■ Model: ZLC-3500



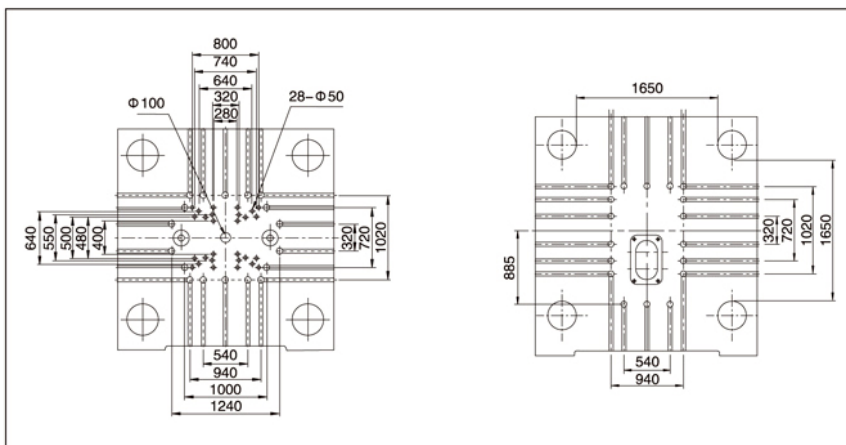
■ Model: ZLC-2500



■ Model: ZLC-4000



■ Model: ZLC-3000



■ Model: ZLC-4500

